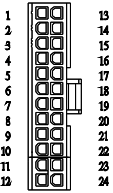


REVISIONS	DESCRIPTION	APPROVED	DATE

P1 (24Pin=20Pin+4Pin optional)

1. EPS12V(Intel) Main Power Connector

Pin	Color	Signal	Pin	Color	Signal	P1	Wire Length
1	Orange	+3.3Vdc	13	Orange	+3.3Vdc		P1=500 ± 10
	Brown	+3.3Vs.		14	Blue		
2	Orange	+3.3Vdc	15	Black	COM		
3	Black	COM	16	Green	PS_ON#		
4	Red	+5Vdc	17	Black	COM		
5	Black	COM	18	Black	COM		
6	Red	+5Vdc	19	Black	COM		
7	Black	COM	20	N.C.			
8	Gray	PWR_OK	21	Red	+5Vdc		
9	Purple	+5Vsb	22	Red	+5Vdc		
10	Yellow	+12V1dc	23	Red	+5Vdc		
11	Yellow	+12V1dc	24	Black	COM		
12	Orange	+3.3Vdc					

H756-20N + H756-04N
or EQU.

P3~P5

Peripheral Power Connector(s) (4Pin)

Pin No.	COLOR	WIRE SIZE	Signal	Length:P3	Length: P4.5	WIRE SIZE	Length:P6
1	Yellow	UL 1007 #18	+12V1dc	500	200	UL 1007 #22	200
2	Black	UL 1007 #18	COM	500	200	UL 1007 #22	200
3	Black	UL 1007 #18	COM	500	200	UL 1007 #22	200
4	Red	UL 1007 #18	+5Vdc	500	200	UL 1007 #22	200

NOTE: Length Tolerance ± 5 mm.

P6

Floppy Drive

P7~P9 SATA P10 Floppy Drive

Pin No.	COLOR	WIRE SIZE	Signal	Length P7	Length P8	Length P9	Length P10
1 2 3	Orange	UL 1007 #18	+3.3Vdc	500	200	200	
4 5 6	Black	UL 1007 #18	COM	500	200	200	200
7 8 9	Red	UL 1007 #18	+5Vdc	500	200	200	200
10 11 12	Black	UL 1007 #18	COM	500	200	200	200
13 14 15	Yellow	UL 1007 #18	+12V2dc	500	200	200	200

P11 PCI-E 黑色(第1,6孔為方孔)

Pin No.	COLOR	WIRE SIZE	Signal	Length 4
1	Yellow	UL 1007 #18	+12V1dc	500
2	Yellow	UL 1007 #18	+12V1dc	500
3	Yellow	UL 1007 #18	+12V1dc	500
4	Black	UL 1007 #18	COM	500
5	Black	UL 1007 #18	COM	500
6	Black	UL 1007 #18	COM	500


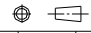
P2

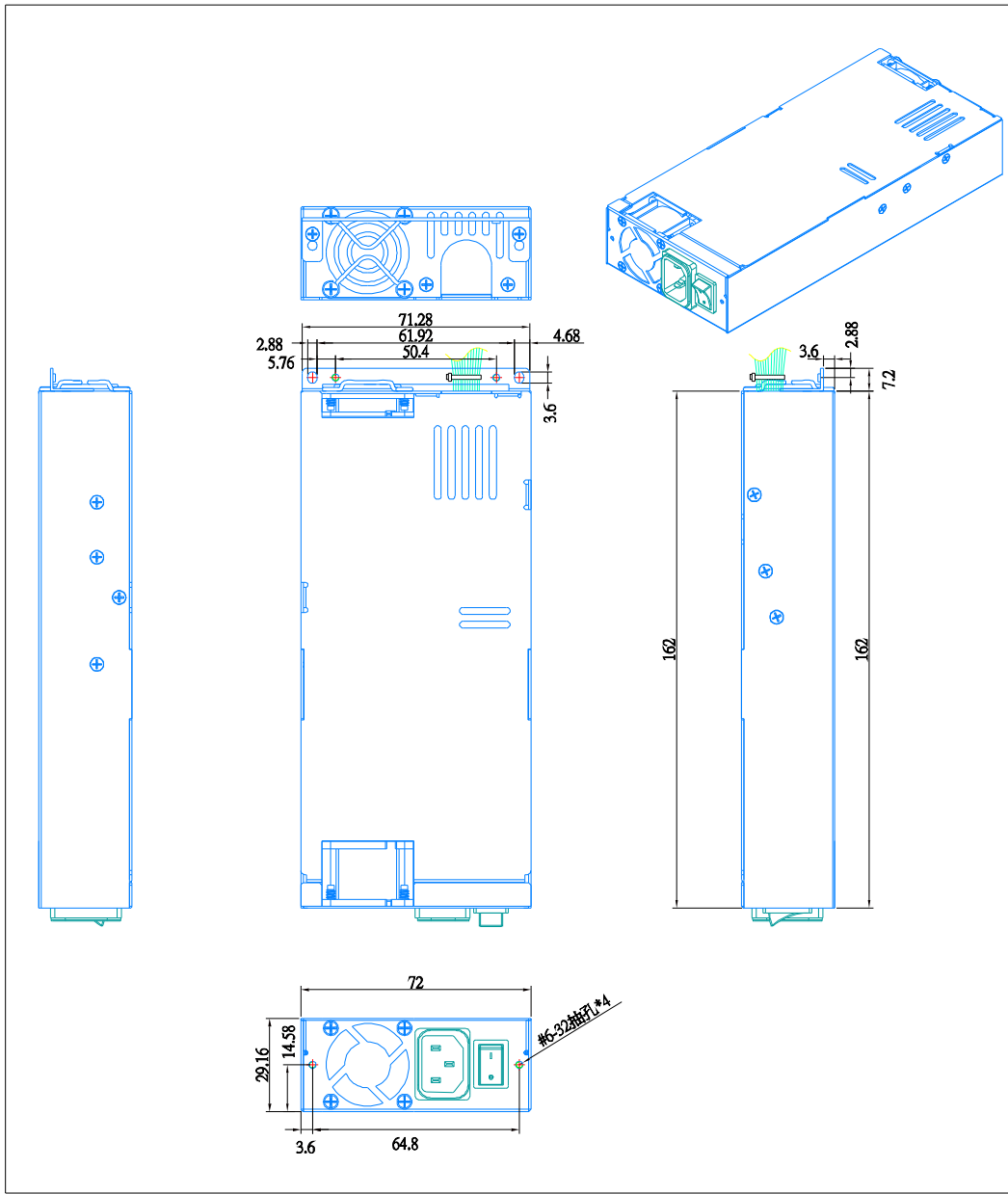
2. Processor Power Connector (8Pin轉4Pin)

Pin No.	COLOR	WIRE SIZE	Signal	Length 5
1	Black	UL 1007 #18	COM	500
	Black	UL 1007 #22	COM	500
2	Black	UL 1007 #18	COM	500
3	Black	UL 1007 #18	COM	500
4	Black	UL 1007 #18	COM	500
5	Yellow/Blue	UL 1007 #18	+12V2	500
6	Yellow/Blue	UL 1007 #18	+12V2	500
7	Yellow/Blue	UL 1007 #18	+12V2	500
8	Yellow/Blue	UL 1007 #18	+12V2	500

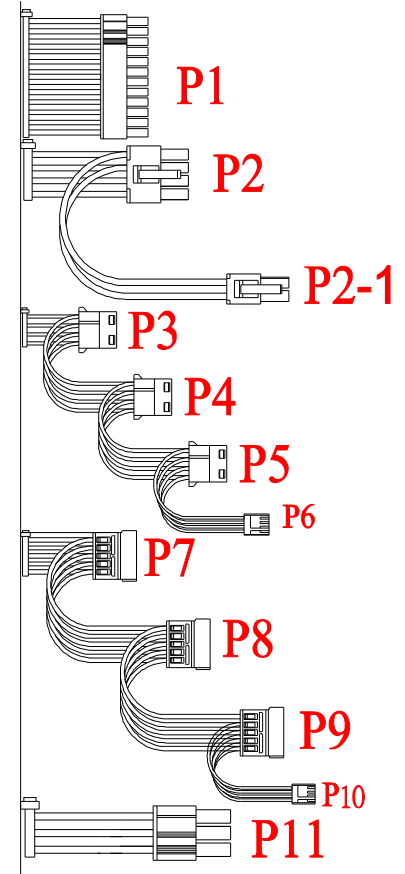
P2-1

Pin No.	COLOR	WIRE SIZE	Signal	Length 6
1	Black	UL 1007 #18	COM	200
2	Black	UL 1007 #18	COM	200
3	Yellow/Blue	UL 1007 #18	+12V2	200
4	Yellow/Blue	UL 1007 #18	+12V2	200

MODEL NAME	ST-350UAC Connector				
PART NO.	W0172550032A000		七盟電子工業股份有限公司		
MATERIAL	Standard		DATE	2006/03/06	
APPROVED	鄭佳慶	06/03/06	PROJECTION		
CHECKED	廖志偉	06/03/06	REV NO.	A0	SCALE 1:1
DRAWN	劉建令	06/03/06	TOLERANCE	/	UNIT mm



REVISIONS	DESCRIPTION	APPROVED	DATE
A0	原始圖面.		06/03/06



MODEL NAME	ST-350UAC 示意圖				
PART NO.	300UAC-LZ140300無鉛		七盟電子工業股份有限公司		
MATERIAL			DATE	06/03/06	
APPROVED	鄭佳慶	06/03/06	PROJECTION		
CHECKED	廖志偉	06/03/06	REV NO.	A0	SCALE 1:1
DRAWN	劉建令	06/03/06	TOLERANCE	/	UNIT mm